

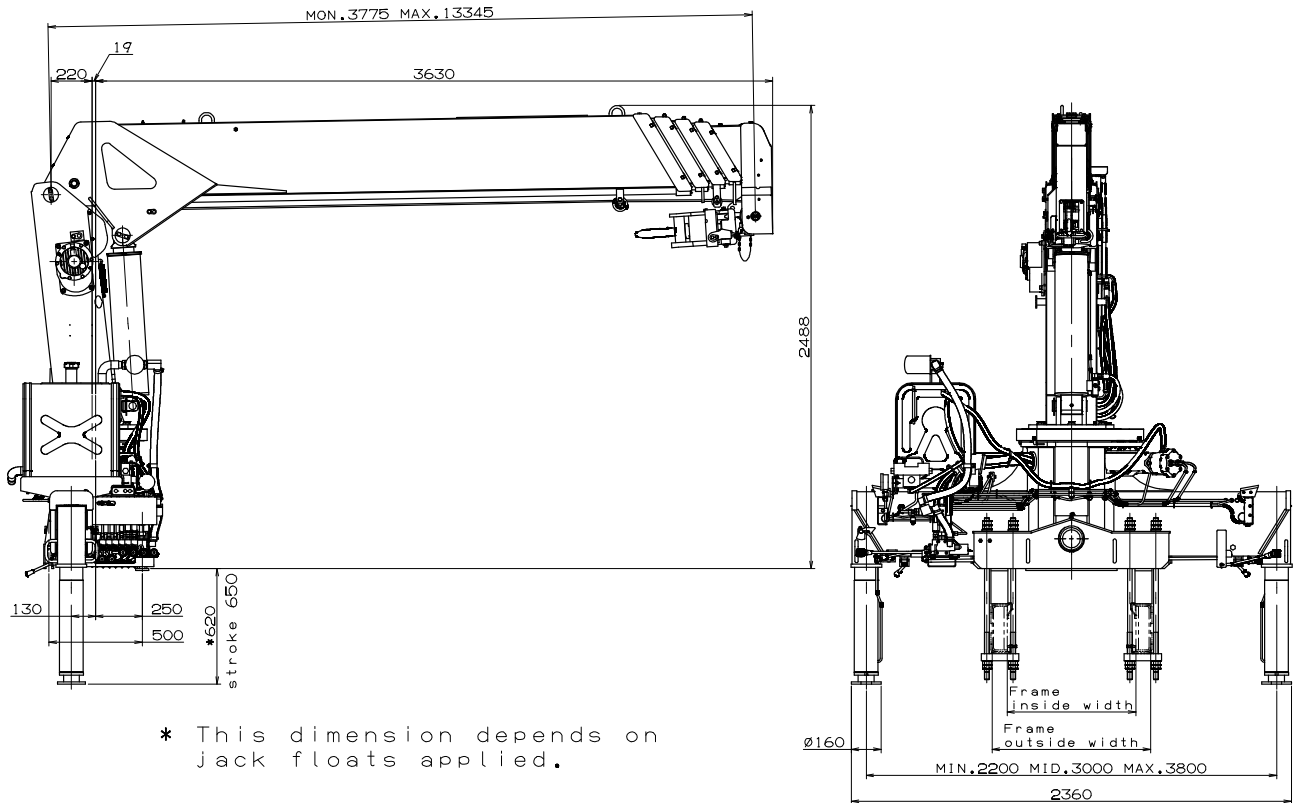








## DIMENSIONS



## GENERAL DATA FOR SUITABLE TRUCKS

Gross vehicle mass (including crane mass) --- 12,000 kg or more

P.T.O. torque ----- 166 N·m {17 kgf·m} min.

P.T.O. revolution ----- Approx. 1,200 min<sup>-1</sup>{rpm} max.

Width for crane mounting ----- Approx. 870 mm min.

Frame ----- Weight distribution and frame strength should be calculated for each truck

Frame width range (inside to outside) ----- Approx. 610 to 960 mm

Frame height (ground to frame top) ----- Approx. 1,235 mm max.

(Height of crane mounting base can be changed by combination of jack floats and crane bases)