

TADANO CARGO CRANE

MODEL : **TM-ZT503H**

CRANE SPECIFICATIONS

<u>CRANE CAPACITY</u>	5,050 kg at 2.5 m (5-part line)
<u>BOOM</u>	Three-sectioned, fully hydraulic telescoping boom of pentagonal box construction Retracted length ----- 3.47 m Extended length ----- 8.31 m Extending speed ----- 4.84 m / 18 s Elevation ----- Elevated by a double-acting hydraulic cylinder Elevating speed ----- 1° to 78° / 12 s Boom point ----- 3 sheaves
<u>WINCH</u>	Hydraulic motor driven Spur gear speed reduction, provided with mechanical brake Single line pull ----- 9.90 kN{1,010 kgf} Single line speed ----- 66 m/min.(at 4th layer) Wire rope Diameter x length ----- 8 mm x 67 m Breaking strength ----- 50.1 kN{5,100 kgf} Construction ----- 7 x 7 + 6 x WS(26) Hook block ----- 2 sheaves
<u>HOOK STOWING DEVICE</u>	Mechanically stowed beneath boom top portion

<u>SLEWING</u>	Hydraulic motor driven Worm gear speed reduction Continuous 360° full circle slewing on ball bearing slew ring Automatic slewing lock Slewing speed -----2.5 min ⁻¹ {rpm}
<u>OUTRIGGERS</u>	Manually extended sliders and hydraulically extended jacks Integral with crane frame Power up and down Extended width ----- Min. 2,200 mm Mid. 3,000 mm Max.3,800 mm
<u>HYDRAULICS</u>	Hydraulic pump ----- Single gear pump Hydraulic motors ----- Axial piston type for winch Axial piston type for slewing Control valves ----- Multiple control valves with integral safety valve Oil tank capacity -----Approx. 90 L
<u>SAFETY DEVICES</u>	Load meter Load indicator Over-winding alarm Anti-two-block device Hook safety latch Hydraulic safety valves, check valves and holding valves Level gauge
<u>CRANE MASS</u>	Approx. 1,610 kg (except mounting parts)

NOTE :Operating speeds of the crane are guaranteed under the condition that the pump delivery is 60 L/min.

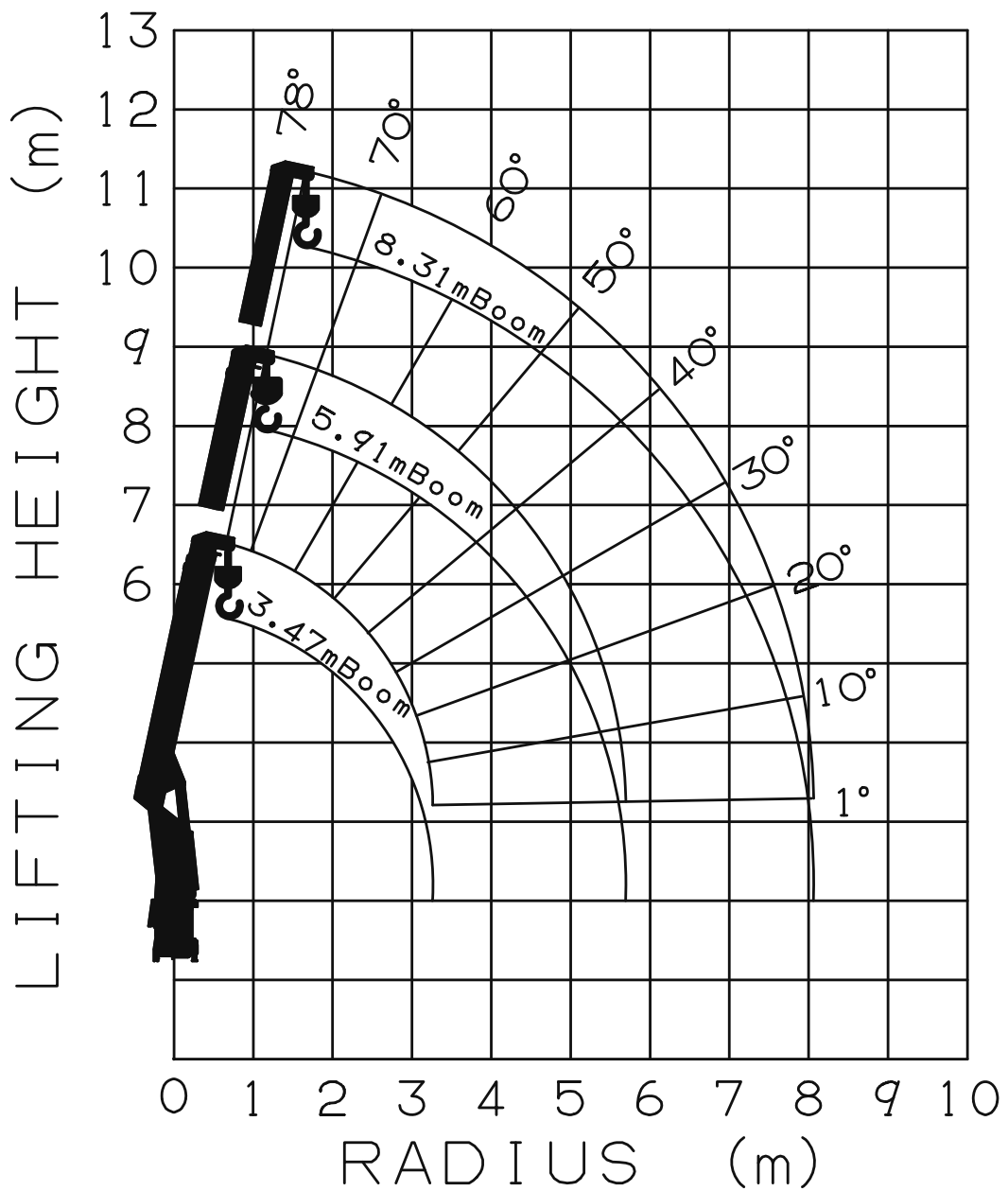
RATED LIFTING CAPACITIES IN KILOGRAMS

Crane Strength Rated Capacities

Load Radius	3.47 m Boom	Load Radius	5.91 m Boom	Load Radius	8.31 m Boom
2.5 m and below	5,050	2.95 m and below	4,050	3.8 m and below	3,130
2.95 m	4,050	3.8 m	3,130	4.1 m	2,930
3.25 m	3,700	4.1 m	2,930	4.5 m	2,580
		4.5 m	2,580	5.0 m	2,280
		5.0 m	2,280	5.5 m	2,030
		5.69 m	1,950	6.0 m	1,830
				6.5 m	1,680
				7.0 m	1,550
				7.5 m	1,430
				8.09m	1,280

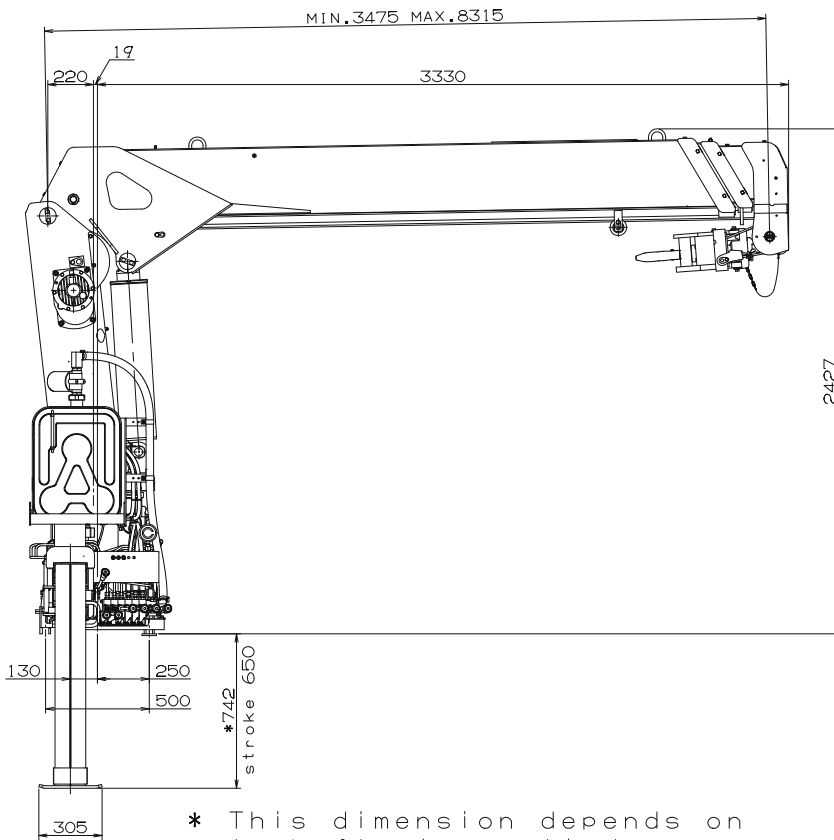
- NOTES :
1. The above numerical values of total rated loads are based on crane strength only. The total rated loads based on stability may lower than those in the above table depending on the loading conditions and the types of the chassis.
 2. Rated Lifting Capacities in these tables depend on condition that crane is set level on firm level ground.
 3. The mass of hook block (50kg)、slings and all similarly used load lifting devices must be added to the mass of the load.
 4. For boom lengths not shown, use the rated lifting capacity of next longer boom.

WORKING RANGE

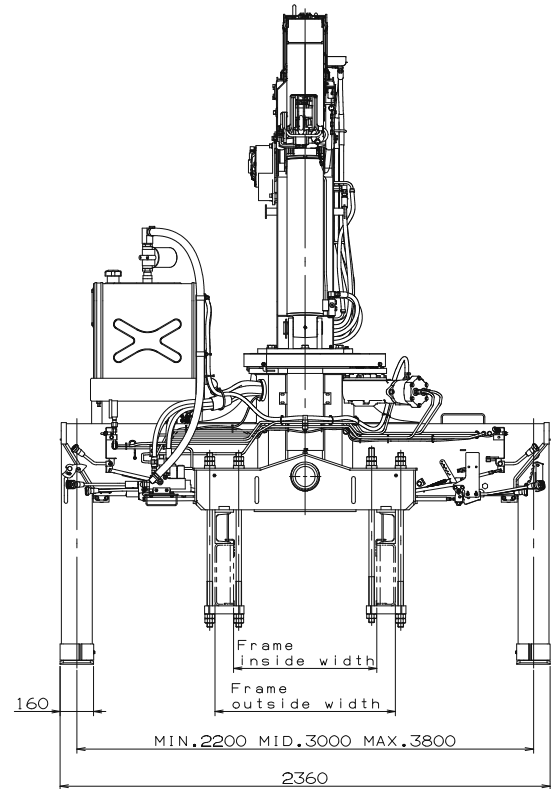


NOTE: The above lifting heights and boom angles are based on a straight (unladen) boom, and allowance should be made for boom deflection obtained under laden conditions.

DIMENSIONS



* This dimension depends on jack floats applied.



GENERAL DATA FOR SUITABLE TRUCKS

Gross vehicle mass (including crane mass) --- 15,000 kg or more

P.T.O. torque ----- 180 N·m{18.4 kgf·m} min.

P.T.O. revolution ----- Approx. 1,200 min⁻¹{rpm} max.

Width for crane mounting ----- Approx. 750 mm min.

Frame ----- Weight distribution and frame strength should be calculated for each truck

Frame width range (inside to outside) ----- Approx. 610 to 940 mm

Frame height (ground to frame top) ----- Approx. 1,290 mm max.

(Height of crane mounting base can be changed by combination of jack floats and crane bases)

S	Model	FVZ34T-32
1	Engine Model	6HK1-TCS
2	Driving System	6x4
3	Engine Type	Direct injection ,OHC, intercooled turbo
4	No of Cylinders	in Line 6 Cylinders
5	Emission level	Euro 2
6	Bore x Stroke	
7	Displacment cc	7790cc
8	Max Output HP / rpm	206kW (280PS) / 2400rpm
9	Max Torque(kg.m) / rpm	882Nm (90kgm) /1450rpm
10	Compration Ratio	
11	Fuel Filter Water Separator	yes
12	Clutch Type	Dry Single Plate - Hydraulic with cushioning spring with air assist
13	Clutch Size mm	380mm
14	Transmission Type	ZF9S1110
15	Gear Diameter mm	445
16	Gear Ratio	5.571
17	Brake Service	Full Air Dual Circuit wedge type, leading trailing on front and rear wheels
18	Auxiliary Brake	
19	Parking Brake	wheel brake parking
20	Steering Type	Recirculating ball nut type with integral power assist system
21	Steering Gear Ratio	22.4
22	Axle Front	6300kg
23	Axle Rear	Banjo,fully floating 21000kg
24	Suspention,Front	Semi-elliptical alloy steel leaf spring,Hydraulic double acting telescopic shock absorber
25	Suspention,Rear	semi-elliptical alloy steel leaf spring - Trunnion type
26	Frame Type	ladder type channel section-straight frame
27	Frame Size	258x85x10.0+4.5
28	Tire size	10.00R20-14 EXP RIB
29	Disc Wheel	
30	Battery/ Generator	24V 50A (1.2Kw)
31	Starter V	
32	Fuel Tank Lit	200
33	Cabin Type	Wide Cab with bed Space
34	Seat Capacity	Driver Seat + Assist Seat
35	Windshiels	Laminated wind shield
36	GVM	25000Kg
37	Mass Kg	7305Kg
38	WB mm	6350mm
39	OAL mm	9730mm
40	FOH mm	1440mm
41	ROH mm	1940mm
42	CE Platform Length mm	7660mm
43	Width mm	2400mm
44	High mm	2870mm
45	Accessories	A/C Manual Control,Sun Visor,2 Mirror outside,Jack 10 Ton,Tire inflator device,Tachometer,Radio AM-FM & CD Player

Fig. 8-28 Cab-chassis drawing FVZ34UU-TDS

